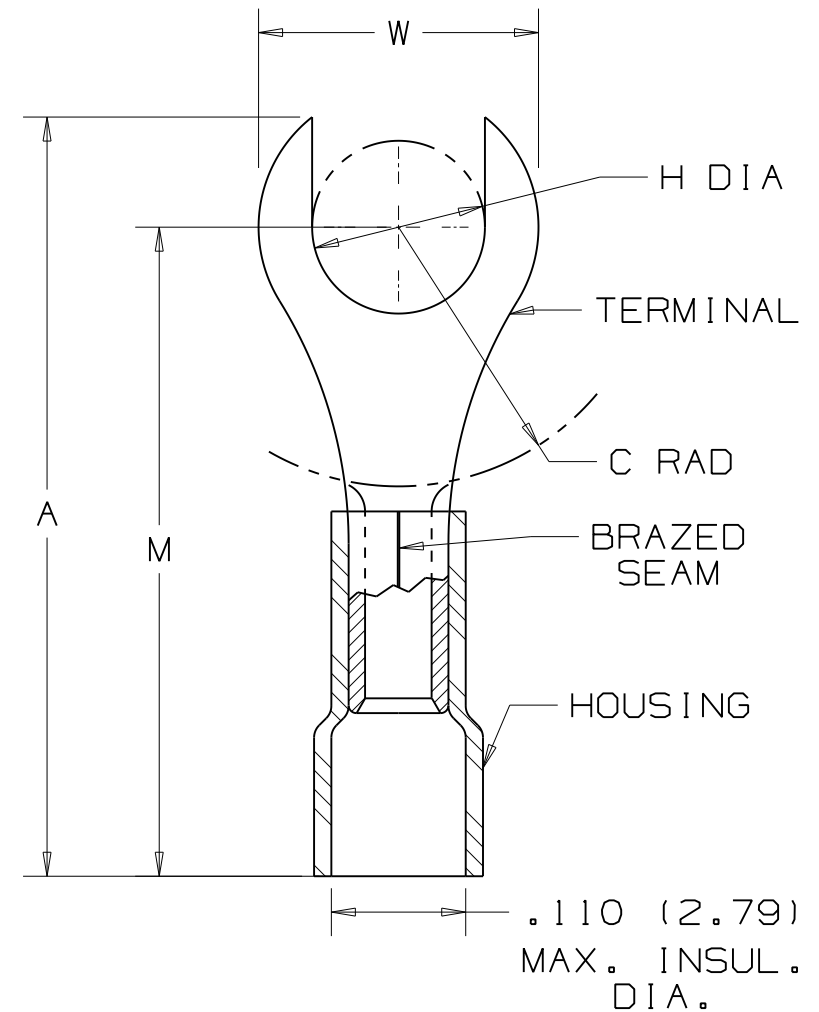


PANDUIT PART NUMBER	STUD SIZE	DIMENSIONS in.				
		A $\pm .020$	W $\pm .010$	C $\pm .015$	M $\pm .020$	H $\pm .010$
PV22-2F	#2	.61 (15.50)	.20 (5.08)	.19 (4.85)	.55 (13.97)	.10 (2.54)

NOTES:

- RECOMMENDED FOR:
 - 600V. MAX. VOLTAGE RATING
 - #26-22 AWG SOLID OR STRANDED COPPER WIRE
 - 221° F (105° C) MAX. TEMP. RATING
- MATERIAL:
 - STAMPING - .020 (0.51) THK COPPER, TIN PLATED
 - HOUSING - VINYL, YELLOW
- PACKAGE QTY: STD. PKG. -CY=100
BULK PKG. -MY=1000
- DIMENSIONS IN BRACKETS ARE IN MILLIMETERS
- INSTALLATION TOOLS: CT-520



Panduit part numbers shown on this drawing meet the material requirements of RoHS (European Directive 2002/95/EC on the Restriction of Hazardous Substances) as proposed by the Technical Adaptation Committee.

04	7/09	BCT		ADDED 'Y' ROHS COMPLAINT SUFFIX TO PKG CODE						PANDUIT CORP. TINLEY PARK, ILLINOIS #26-22 BARREL VINYL INSULATED FORK, .110 (2.79) MAX. WIRE INSUL. DIA.		
03	1/01	RM		FILESPEC WAS A41231A::1:L1								
2	7-88	DW		REDRAWN WITH REVISIONS								
REV	DATE	BY	CHK	DESCRIPTION	QA	CUST	PM	APP	DRAWN BY DAW	CHK'D	SCALE NONE	DRAWING NO. A41231